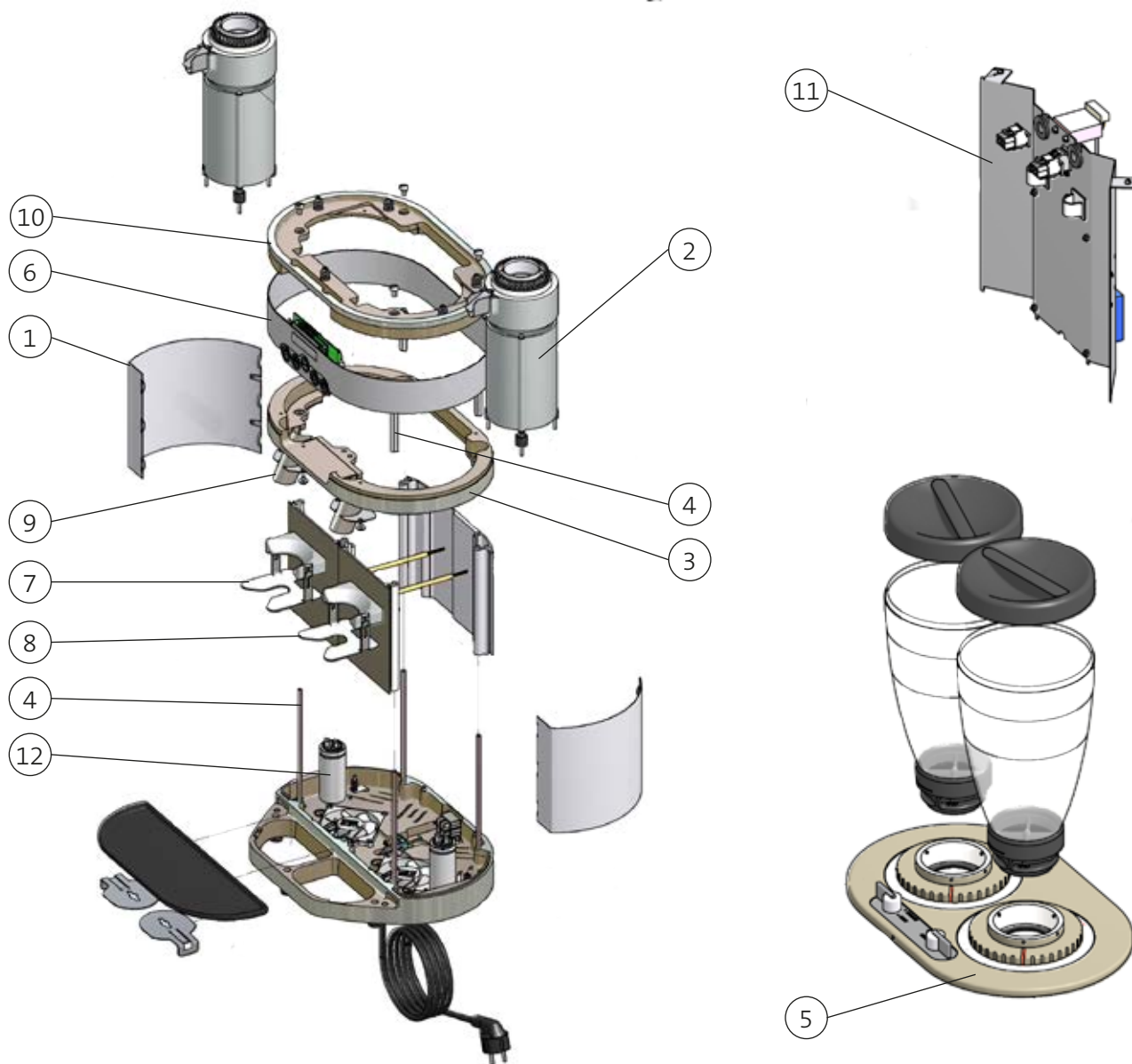


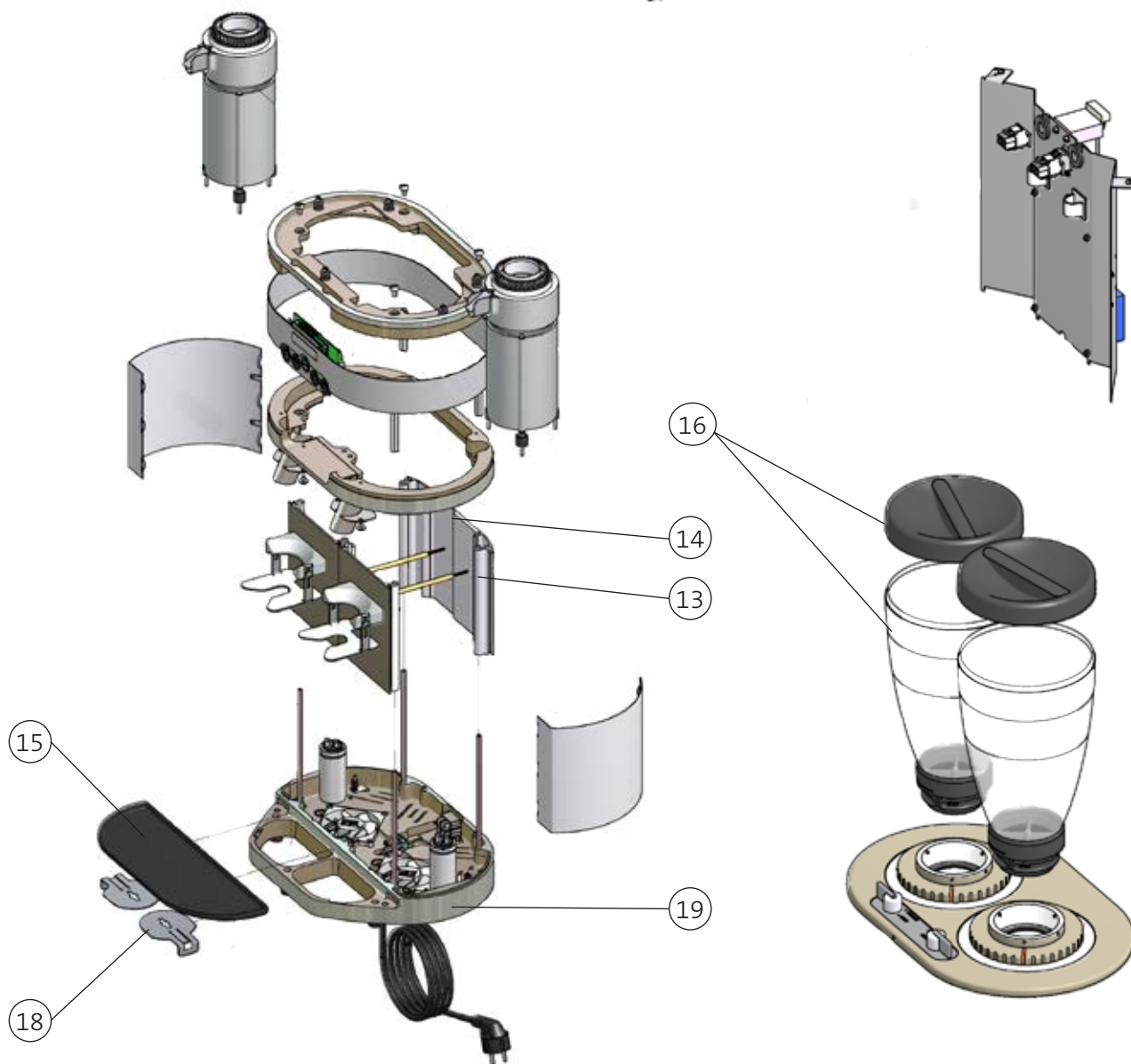
Valid from 18th July 2016
 Supersedes all previously issued spare parts lists

Subject to change without prior notice.



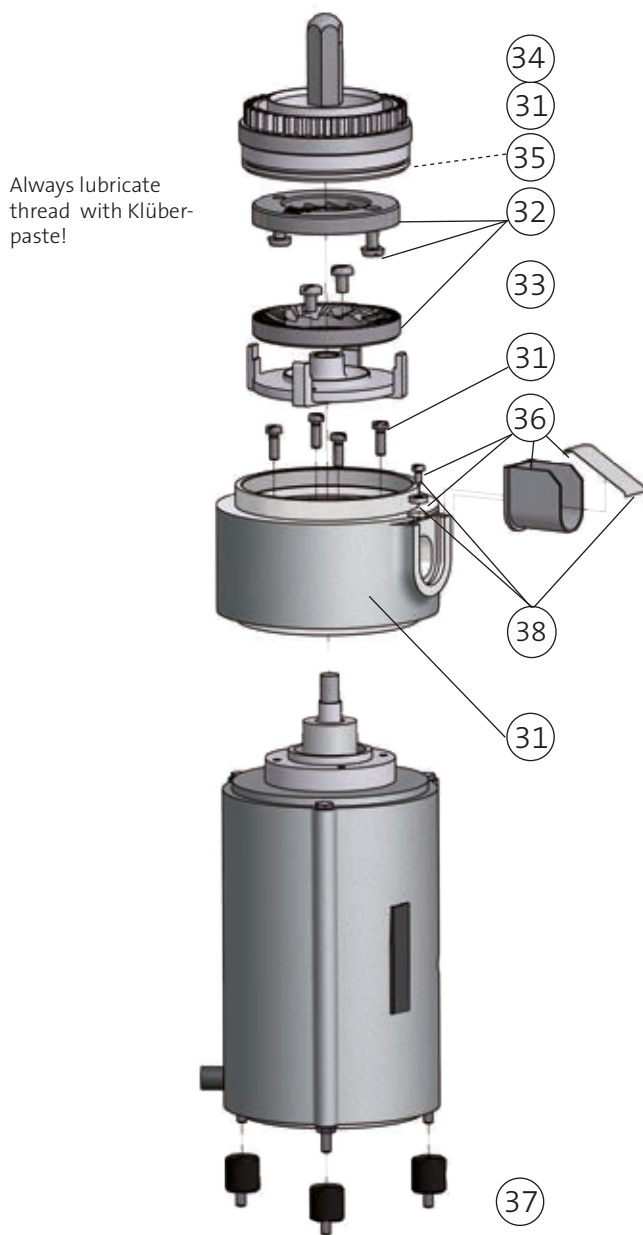
Model: K30 TWIN 200-230V 50/60Hz

ARTICLE NO.	DRAWING NO.	DESCRIPTION
309403	1	Side panel round RAL 9005 shiny black, service pack
-	2	EK11 built-in grinder 200-230V, see pages 4 & 5
308260	3	Clamp ring K30 TWIN round machined and coated
309411	4	Small parts set, body
308568	5	Cover K30 TWIN, complete
308756	6	Deco ring K30 TWIN, complete
308758	7	Front panel K30 TWIN left, complete
308759	8	Front panel K30 TWIN right, complete
306724	9	Spout, service pack
308261	10	Intermediate ring machined and coated
309404	11	Power board K30 TWIN 200-230V, service pack
305743	12	Running capacitor 10µF (200-230V / 50Hz)

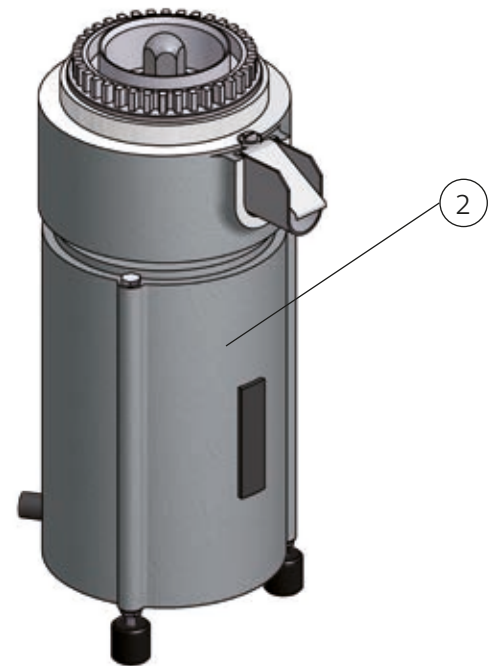


Model: K30 TWIN 200-230V 50/60Hz

ARTICLE NO.	DRAWING NO.	DESCRIPTION
308748	13	Back panel le/ri coated silver metallic
308745	14	Back panel centre section
309405	15	Residue tray with magnets
309426	16	Hopper with lid
308680	18	Hopper slider
308866	19	Base plate K30 TWIN pre-assembled CE

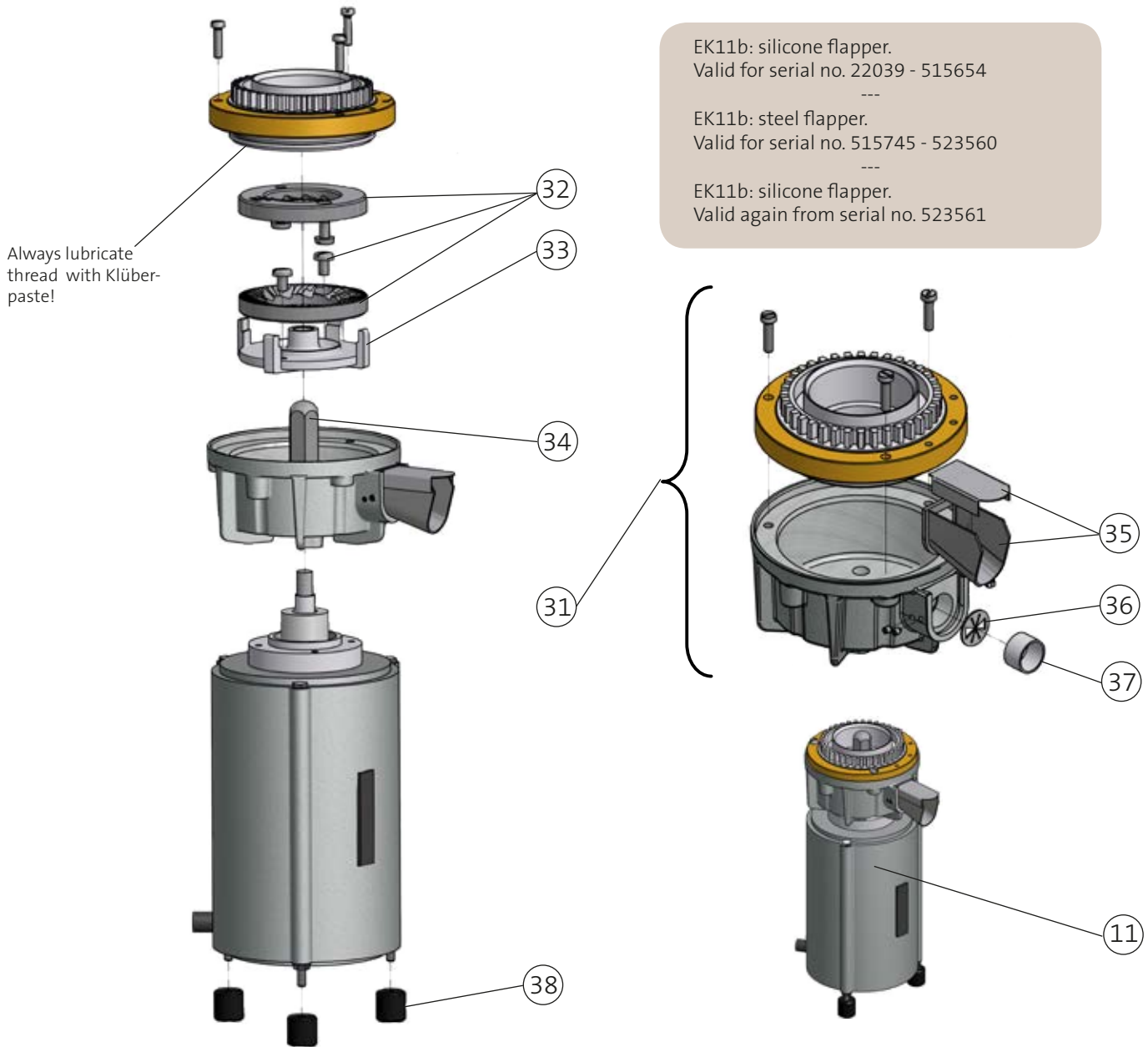


! EK11a: aluminium thread and flat spring spout. !
 • Valid until serial number 22003



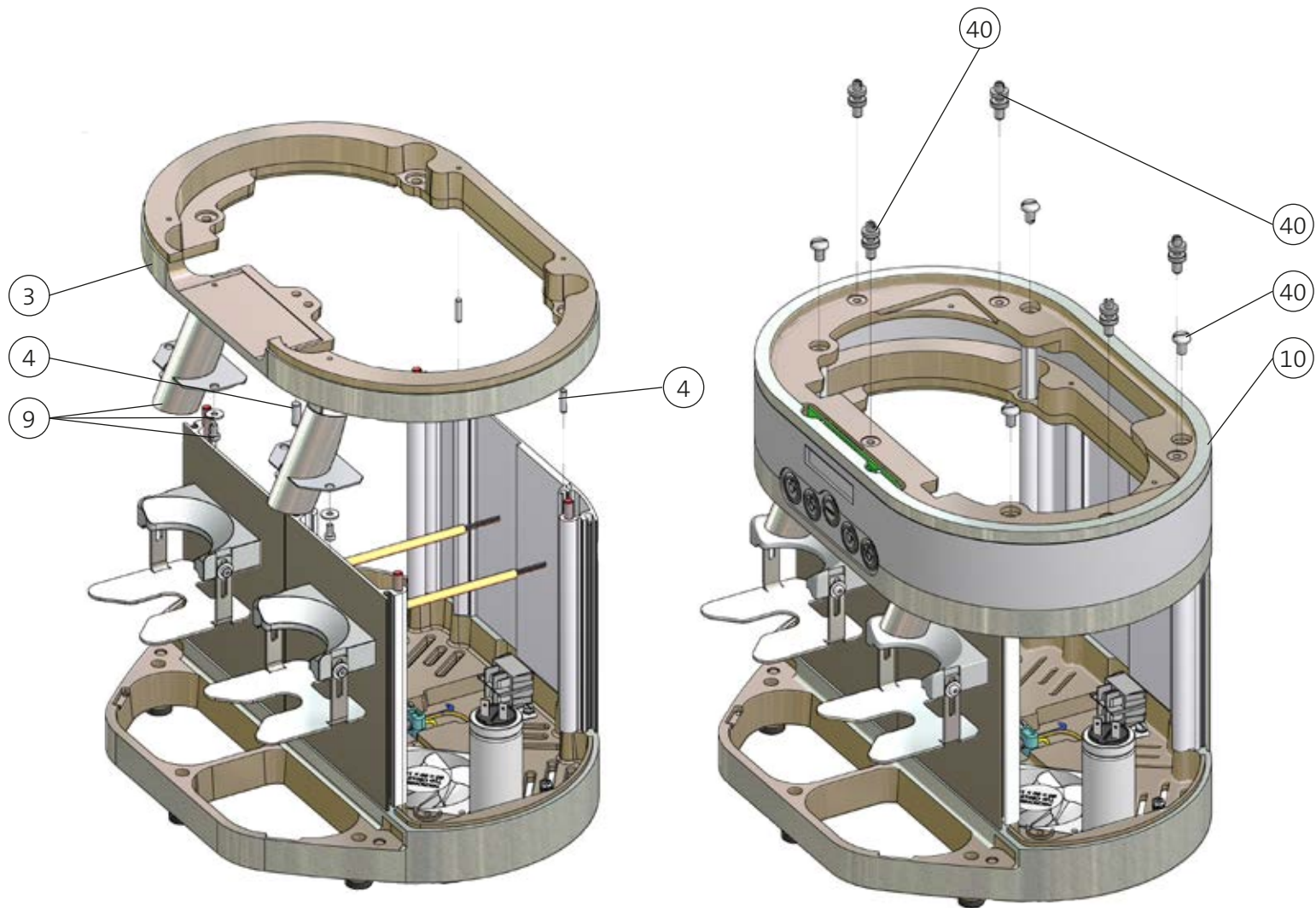
Model: K30 TWIN 200-230V 50/60Hz

ARTICLE NO.	DRAWING NO.	DESCRIPTION
307833	2	EK11a built-in grinder 200-230V (C0212.00) K30 TWIN flat spring spout (until ser.no. 22003)
309408	31	Grinder casing set EK11a, service pack
306715	32	Grinding disc set EK11
306213	33	Grinding disc carrier rotary
307274	34	Finger protection 40mm
301005	35	O-ring (only until serial number 16509)
309409	36	Spout EK11a, service pack
309410	37	Shock absorbers, service pack (pack of 3)
310520	38	Flat spring EK11a, service pack (pack of 5)
309336	--	Klüberpaste lubricant tube of 60 gr



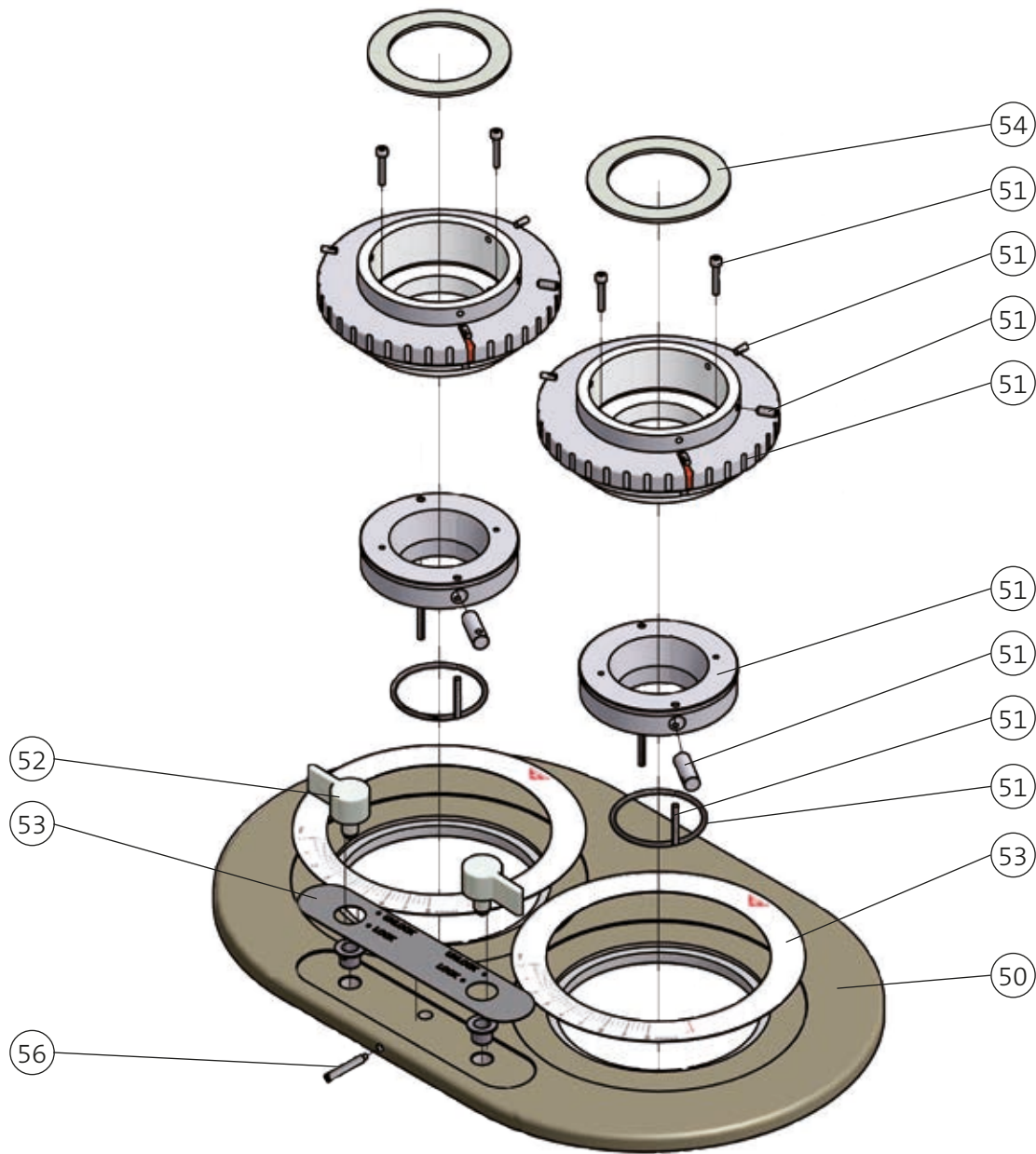
Model: K30 TWIN 200-230V 50/60Hz

ARTICLE NO.	DRAWING NO.	DESCRIPTION
101147	2	EK11b built-in grinder 200-230V (C0212.00) K30 TWIN silicone flapper
101145	31	Grinder casing set EK11b, with silicone flapper, spout, brass thread
306715	32	Grinding disc set EK11
306213	33	Grinding disc carrier rotary
307274	34	Finger protection 40mm
310467	35	Spout EK11b covered
310139	36	Silicone flapper Ø17mm
100584	36	Steel flapper Ø15,8mm (ser.no. 515745-523560 only)
101518	36	Silicone flapper Ø15,8mm (exchange for steel flapper only! Serial.no. 515745-523560 only)
310114	37	Spout tube EK11b
309410	38	Shock absorbers, service pack (pack of 3)
309336	--	Klüberpaste lubricant tube of 60 gr



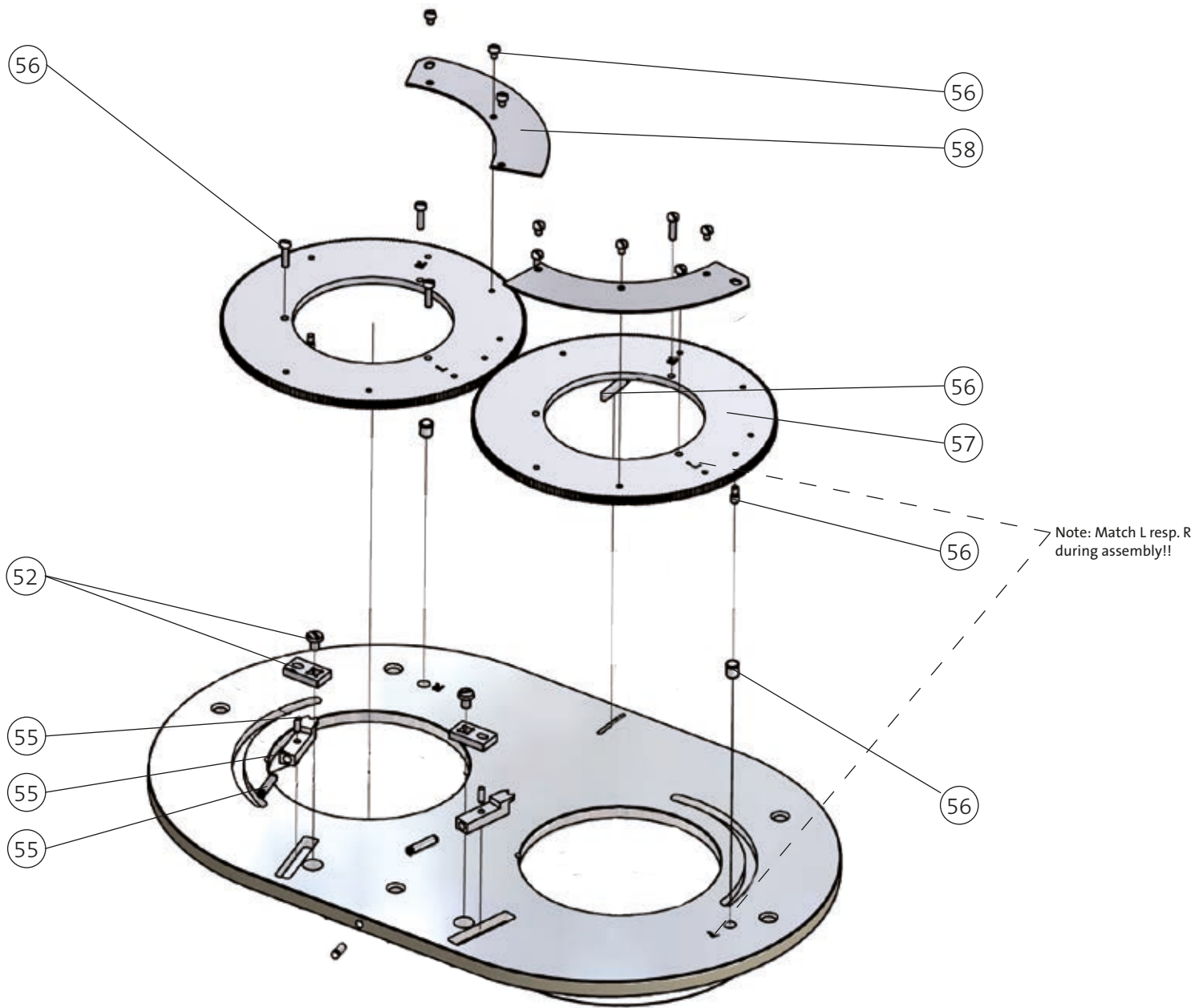
Model: K30 TWIN 200-230V 50/60Hz

ARTICLE NO.	DRAWING NO.	DESCRIPTION
308260	3	Clamp ring K30 TWIN round machined and coated
309411	4	Small Parts Set, body
306724	9	Spout service pack
308261	10	Intermediate ring machined and coated
309412	40	Small Parts Set, intermediate ring



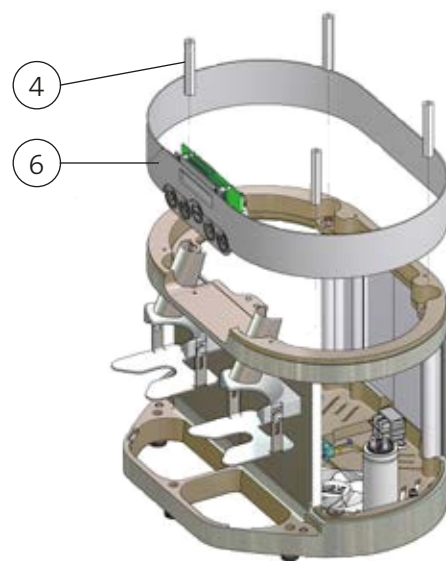
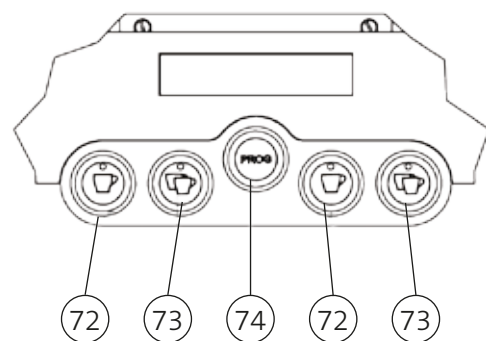
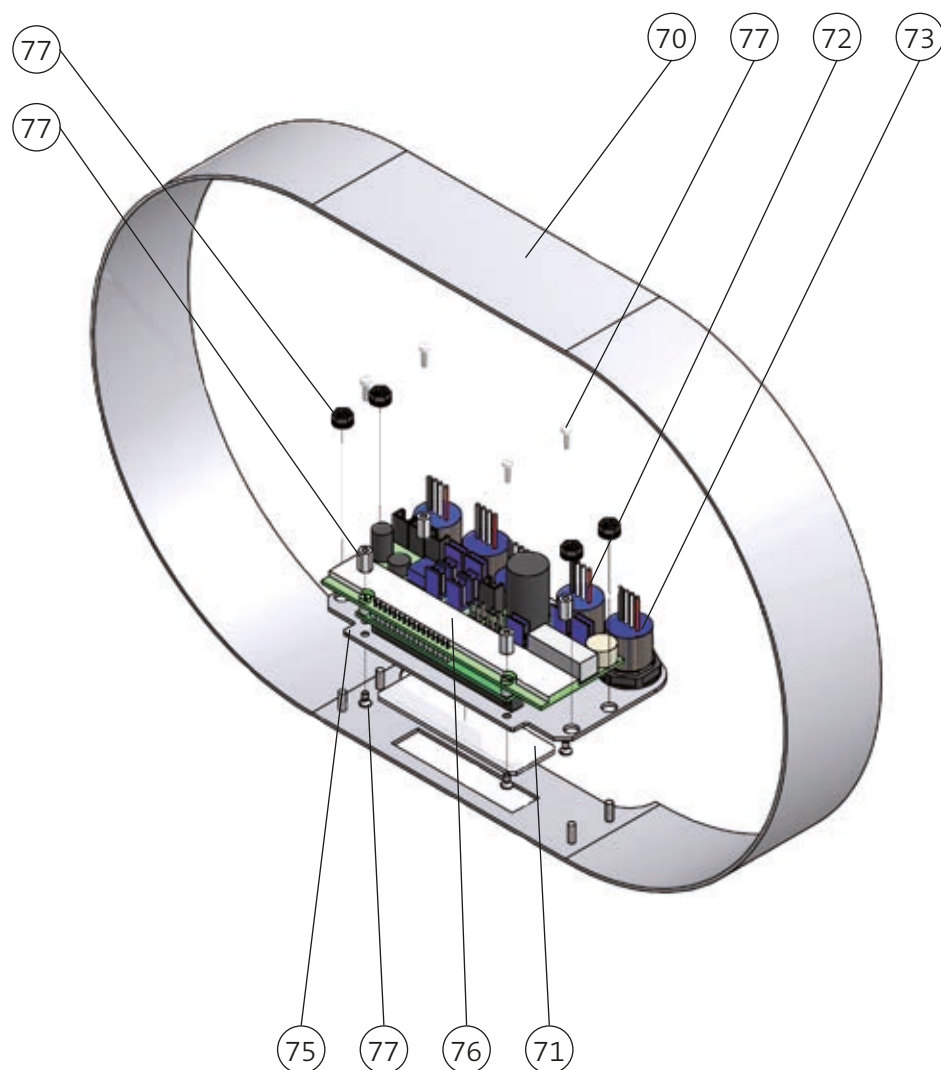
Model: K30 TWIN 200-230V 50/60Hz

ARTICLE NO.	DRAWING NO.	DESCRIPTION
308262	50	Cover machined and coated
309413	51	Grind adjustment with adapter complete
310521	52	Toggle knob K30 TWIN, service pack
309414	53	Sticker set cover K30 TWIN
309087	54	Seal ring, Pack of 10, 70x50x2
309416	56	Small parts set cover



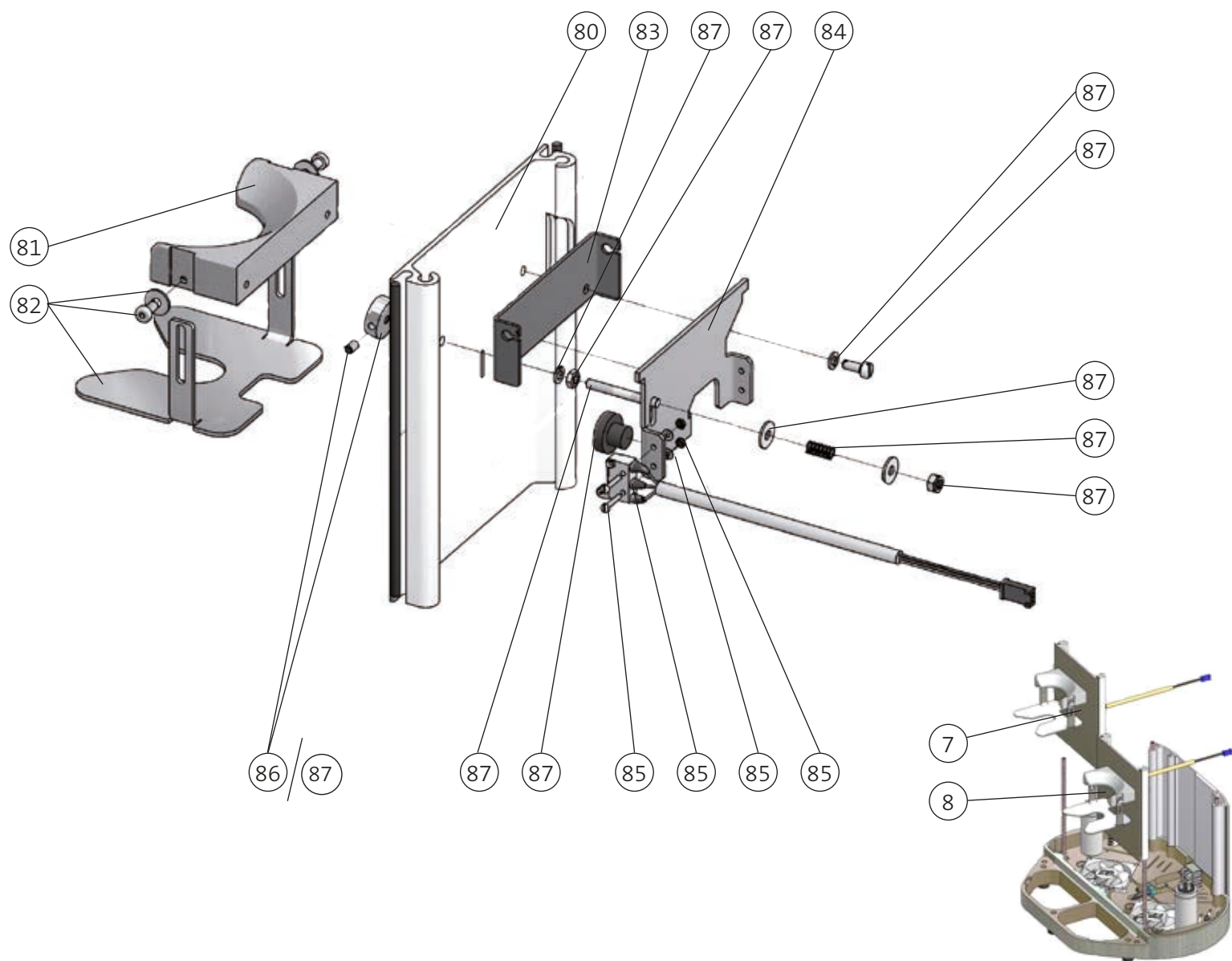
Model: K30 TWIN 200-230V 50/60Hz

ARTICLE NO.	DRAWING NO.	DESCRIPTION
310521	52	Toggle knob K30 TWIN, service pack
310522	55	Notch slide K30 TWIN, service pack
309416	56	Small parts set cover
308264	57	Swivel machined
308266	58	Guide machined



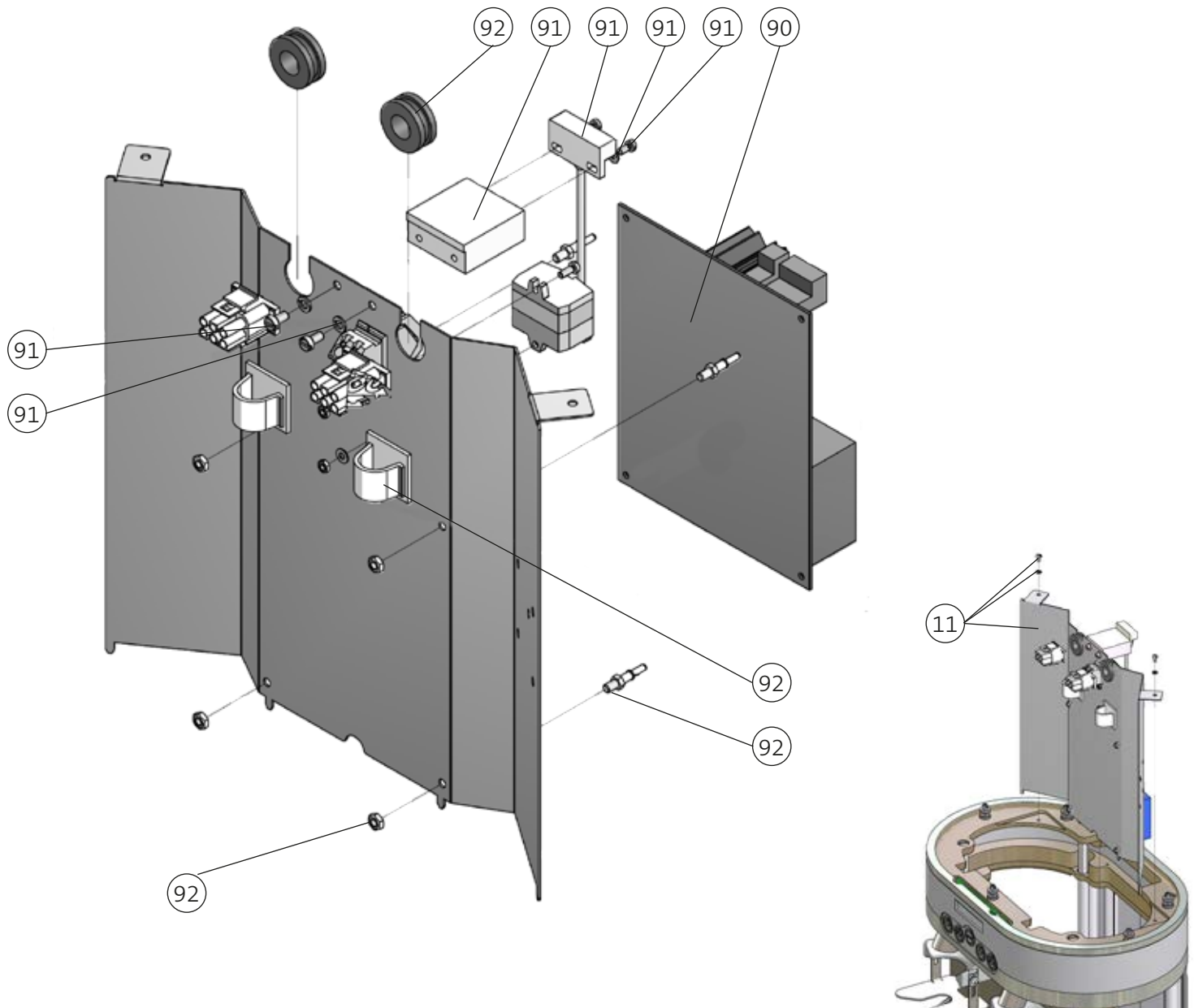
Model: K30 TWIN 200-230V 50/60Hz

ARTICLE NO.	DRAWING NO.	DESCRIPTION
309411	4	Small Parts Set, body
308756	6	Deco ring K30 TWIN complete
309201	70	Deco-ring K30 TWIN coating RAL 9005 shiny black
308320	71	Display cover clear for display 2x16
308924	72	Switch single shot, assembled
308923	73	Switch double shot, assembled
308212	74	Switch PROG, assembled
308942	75	Switch board coated (silver) (other colours on request)
308332	76	Processor board with display (software on request)
309417	77	Small parts set deco ring



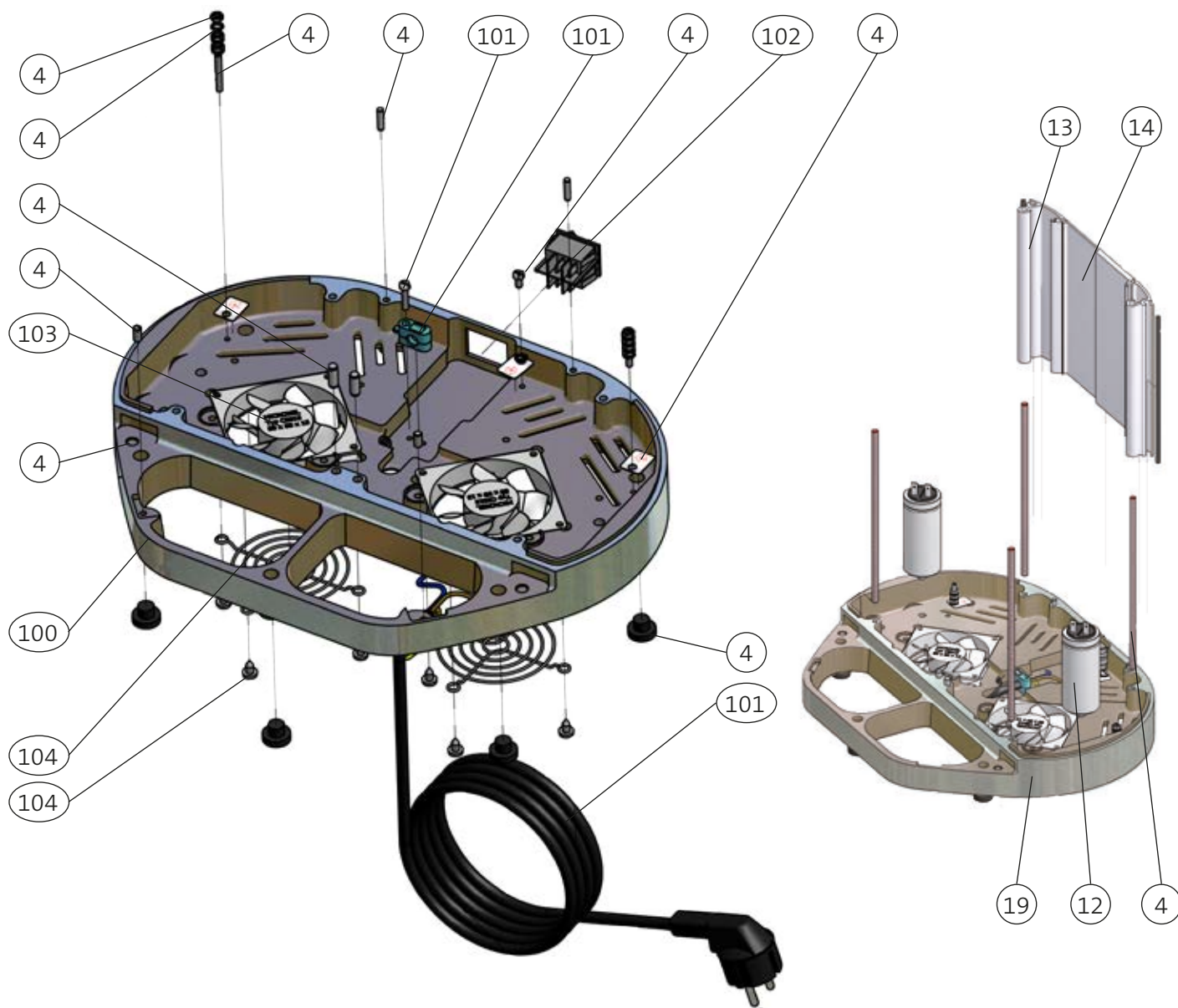
Model: K30 TWIN 200-230V 50/60Hz

ARTICLE NO.	DRAWING NO.	DESCRIPTION
308758	7	Front panel K30 TWIN left complete
308759	8	Front panel K30 TWIN right complete
308943	80	Front panel left machined and coated
308944	--	Front panel right machined and coated
306307	81	Portafilter mounting machined and coated
306718	82	Portafilter support base round
306719	--	Portafilter support base square
306438	83	Rocker switch bent
308317	84	Rocker switch
306720	85	Micro switch service pack
306722	86	Rocker switch knob service pack
308388	87	Small Parts Set, Front Panel



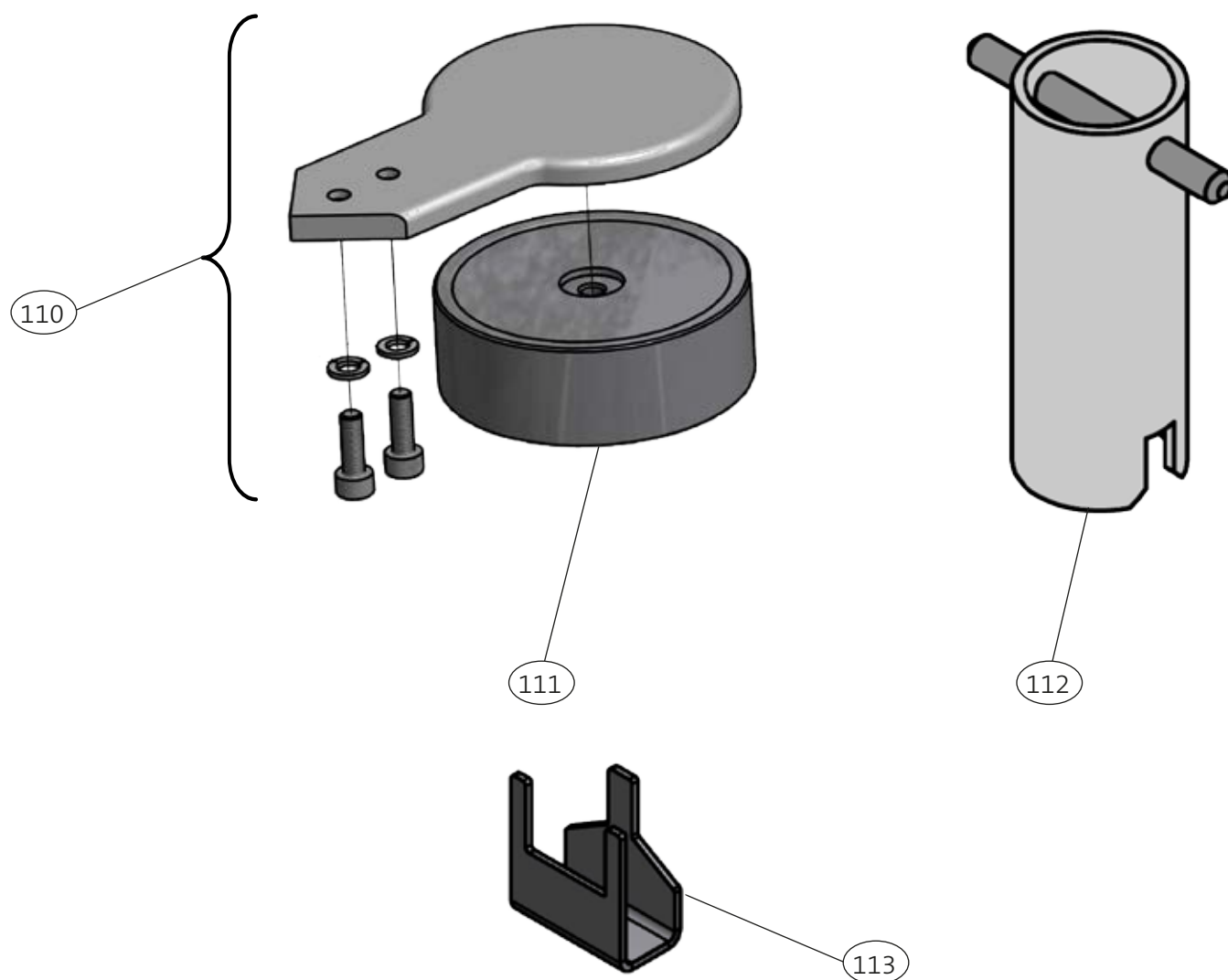
Model: K30 TWIN 200-230V 50/60Hz

ARTICLE NO.	DRAWING NO.	DESCRIPTION
309404	11	Power board K30 TWIN 200-230V, service pack
308013	90	Power supply PCB (define voltage)
309418	91	Magnetic switch service pack
309419	92	Small parts set power board
309420	--	Strand set power board, service pack



Model: K30 TWIN 200-230V 50/60Hz

ARTICLE NO.	DRAWING NO.	DESCRIPTION
309411	4	Small Parts Set, body
305743	12	Running capacitor 10µF (200-230V / 50Hz)
308748	13	Back panel le/ri coated silver metallic
308745	14	Back panel centre section
308866	19	Base plate K30 TWIN pre-assembled CE
308259	100	Base plate K30 TWIN machined and coated
309385	101	Power cord 230V CE with cord grip, service pack
308400	102	Rocker switch 2-pin
310673	103	Fan 24VDC 80x80x15
309421	104	Fan grid, service pack
309422	--	Strand set service pack switch-power board



Model: K30 TWIN 200-230V 50/60Hz

ARTICLE NO.	DRAWING NO.	DESCRIPTION
-------------	-------------	-------------

ADDITIONAL EQUIPMENT

308660	(110)	Tamper mounting kit d=53mm K30 TWIN, complete
308787	(110)	Tamper mounting kit d=55mm K30 TWIN, complete
310490	(110)	Tamper mounting kit d=57mm K30 TWIN, complete
307226	110	Tamper mounting kit d=58mm K30 TWIN, complete
307138	(111)	Tamper insert d=53mm for static tamper
307139	(111)	Tamper insert d=55mm for static tamper
310454	(111)	Tamper insert d=57mm for static tamper
306819	111	Tamper insert d=58mm for static tamper
306590	112	Grind adjustment key K30 TWIN
101066	113	Tool for disc change in EK11b

Changes In The Spare Parts List:

VALID FROM VERSION NO.	ARTICLE NO.	DRAWING NO.	DESCRIPTION	COMMENT
2.7	101147	2	EK11b built-in grinder 200-230V (C0212.00) silicone flapper (from ser.no. 22039)	standard EK11b with silicone flapper
2.7	267606	2	EK11b built-in grinder 200-230V (C0212.00) steel flapper (only ser.nos. 515745 - 523560)	short term EK11b with steel flapper
2.7	101145	31	Grinder casing set EK11b, with silicone flapper, spout, brass thread	standard grinder casing with silicone flapper
2.7	100941	31	Grinder casing set EK11b, with steel flapper, spout, brass thread (only ser.nos. 515745 - 523560)	short term casing with steel flapper
2.7	310139	36	Silicone flapper Ø17mm	standard flapper
2.7	100584	36	Steel flapper Ø15,8mm (ser.no. 515745 - 523560 only)	short term steel flapper
2.7	101518	36	Silicone flapper Ø15,8mm (exchange for steel flapper only! Serial.no. 515745 - 523560 only)	only for exchange of steel flapper
2.7	101066	113	Tool for disc change in EK11b	new
2.8	310115	2	EK11b built-in grinder 200-230V (C0212.00) K30 TWIN steel flapper (only ser.nos. 515745 - 523560)	new part number
2.8	310104	31	Grinder casing set EK11b, with steel flapper, spout, brass thread (only ser.nos. 515745 - 523560)	new part number
2.9	310673	103	Fan 24VDC 80x80x15	replaces 308926
3.0	308942	75	Switch board coated (silver) (other colours on request)	