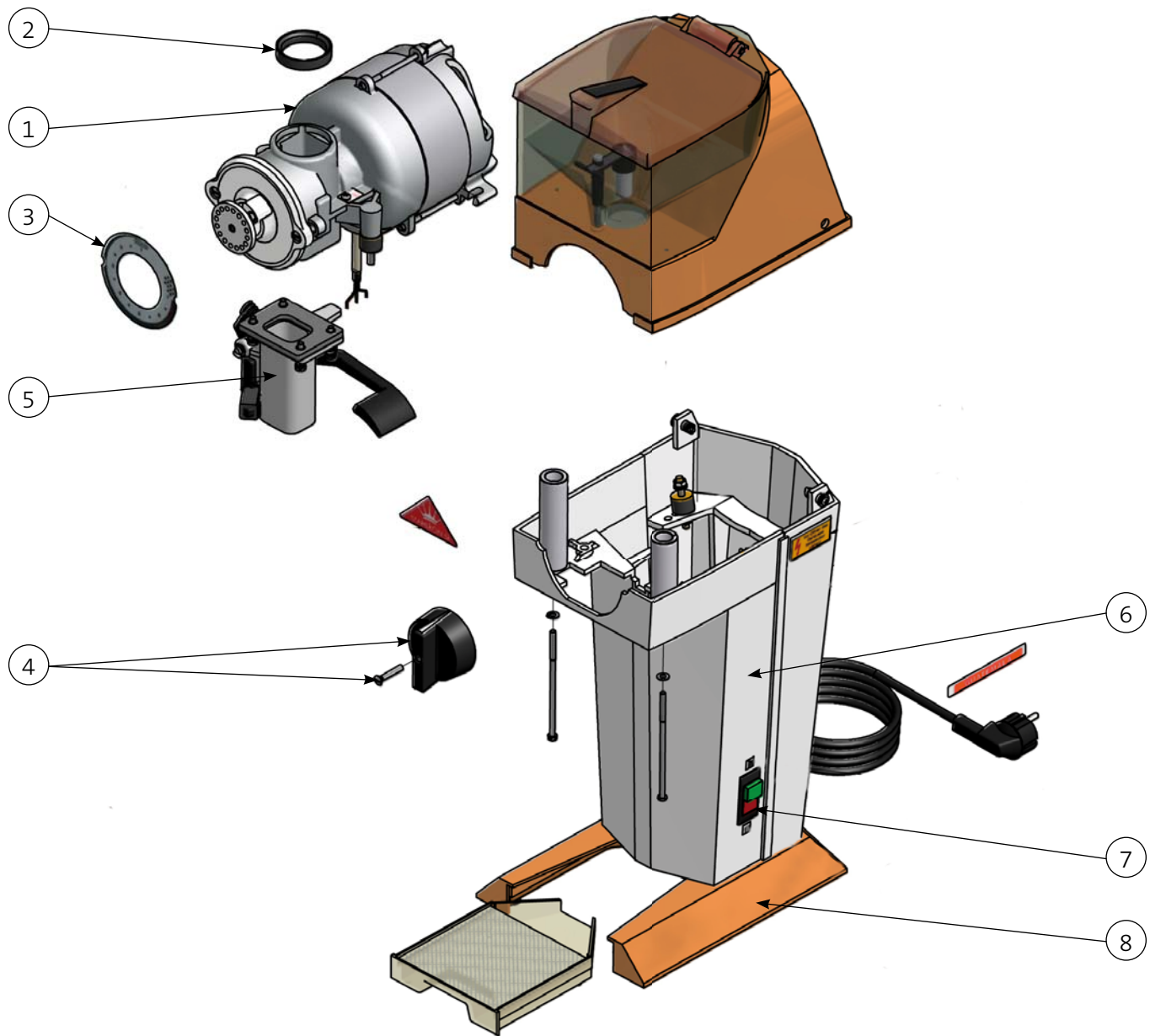


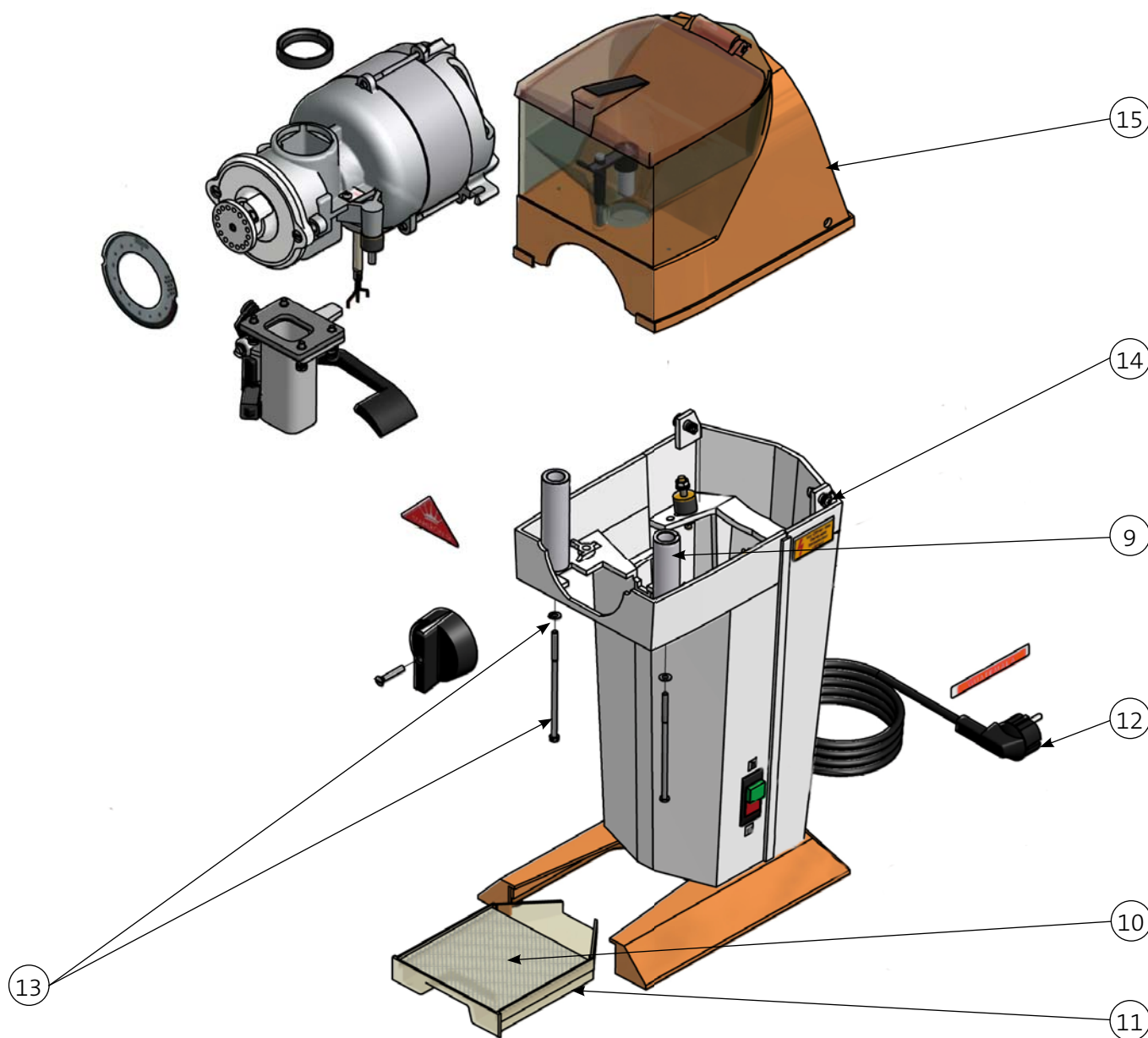
Valid from 01.01.2013  
Supersedes all previously issued spare parts lists

Subject to change without prior notice.



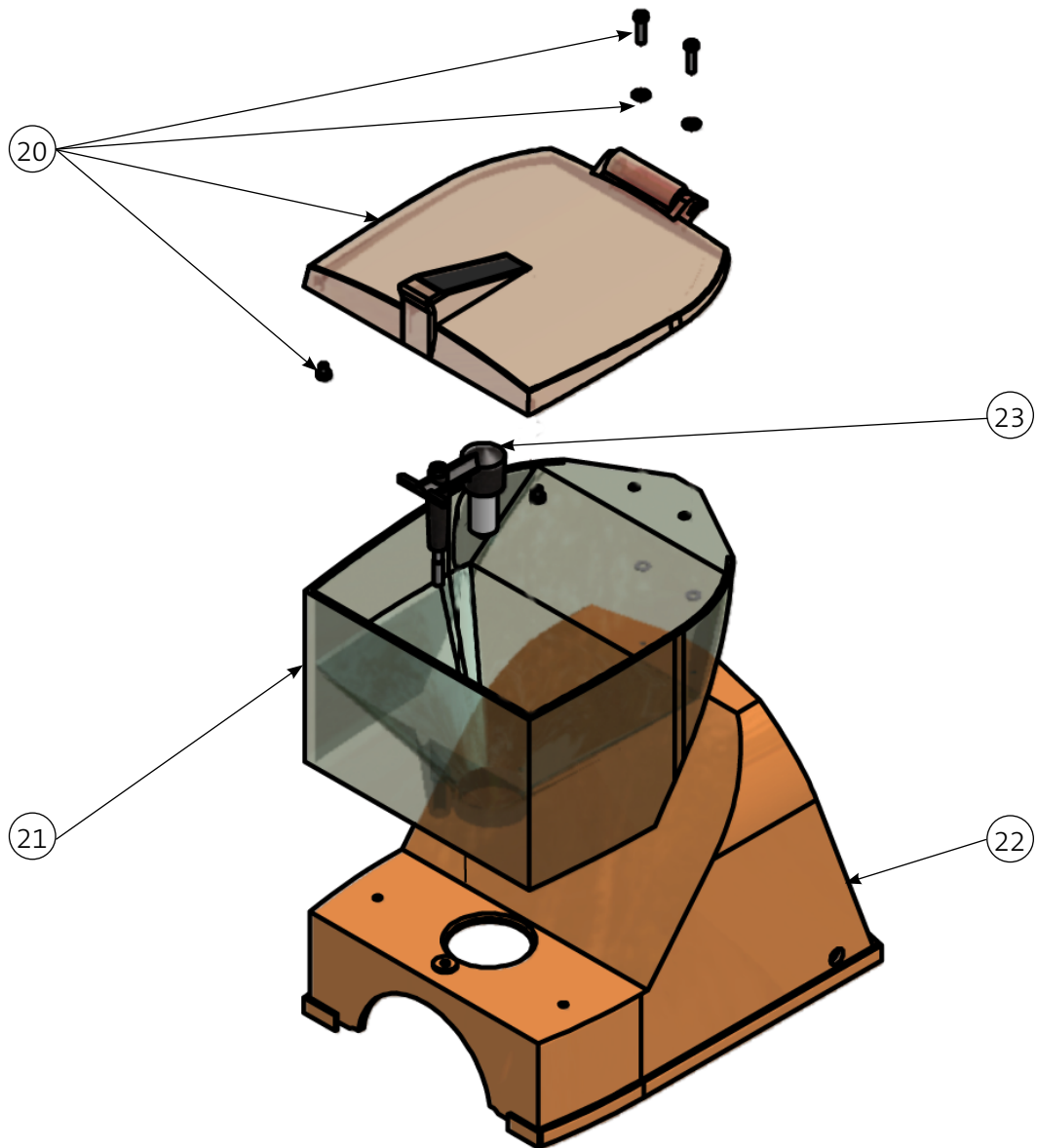
Model: Kenia - 200-240V / 50/60Hz

ARTICLE NO.	DRAWING NO.	DESCRIPTION
-	1	Motor (see page 5)
302727	2	Seal ring
301834	3	Scale label - dot screen
309696	4	Adjustment cap K32 service pack
309400	5	Spout K22-K32 complete with clamping
305138	(6)	Housing lower part K32 for BÄR switch (only poppy-seed grinding), STATE COLOUR
305139	6	Housing lower part K32/K22 for ETA switch, STATE COLOUR
302375	7	ETA-Switch 2-pin (220-230V/50-60Hz), STATE SERIAL NUMBER
306071	-	Conversion kit for BÄR-switch (Kenia) with protector 5A and cables, STATE SERIAL NUMBER
300395	8	Base plate cover K32, outside coated, STATE COLOUR



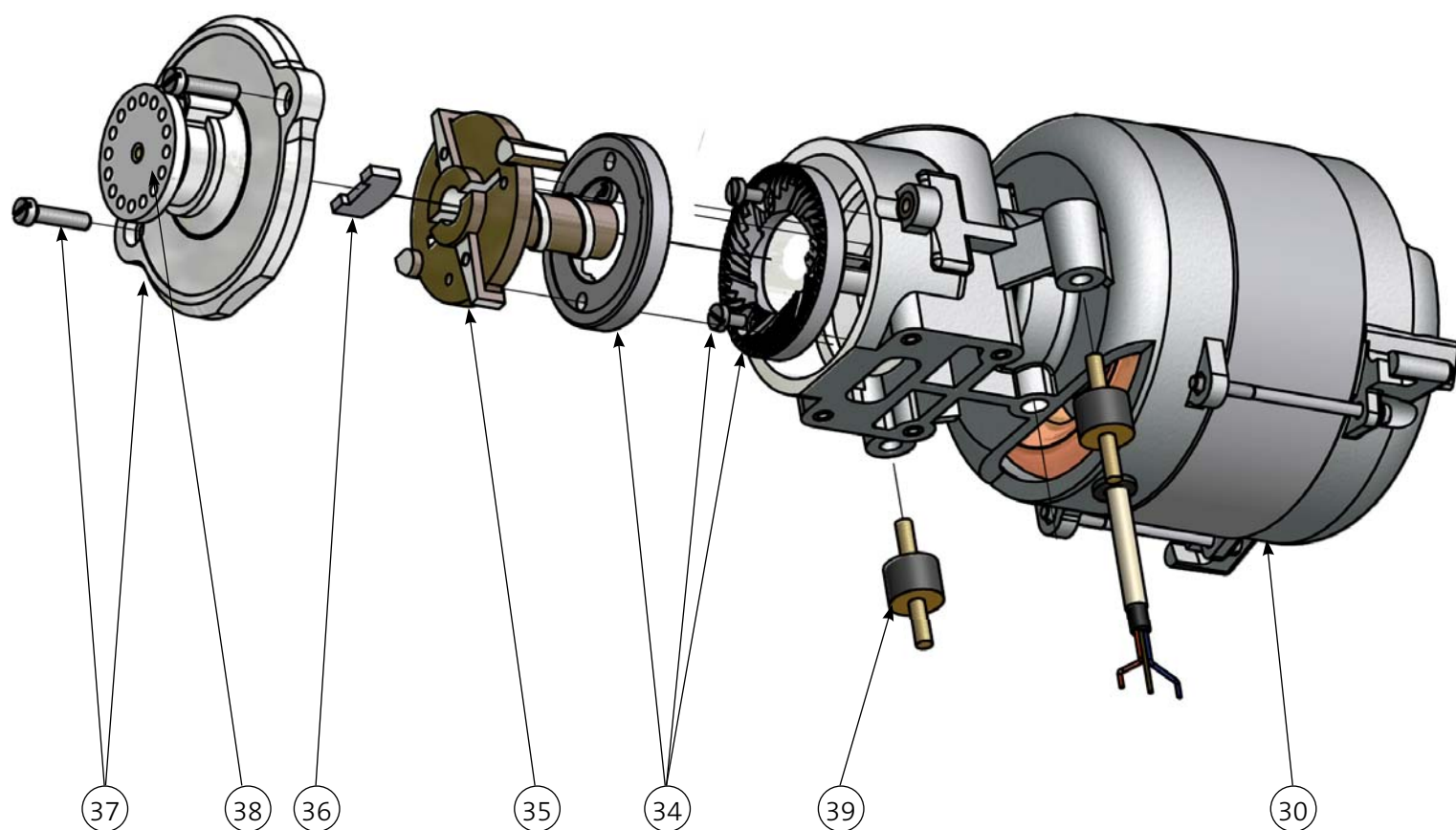
Model: Kenia - 200-240V / 50/60Hz

ARTICLE NO.	DRAWING NO.	DESCRIPTION
305394	9	Distance bush
301054	10	Rib mesh
300481	11	Residue tray Gua/Kenia
300480	(10+11)	Residue tray with rib mesh
303723	12	Power cord with angular plug
-	(12)	Power cord with different plug on request
309697	13	Mounting of housing upper part, service pack
301215	14	Vibrex screw
300364	15	Housing upper part Gua/Kenia, complete, STATE COLOUR



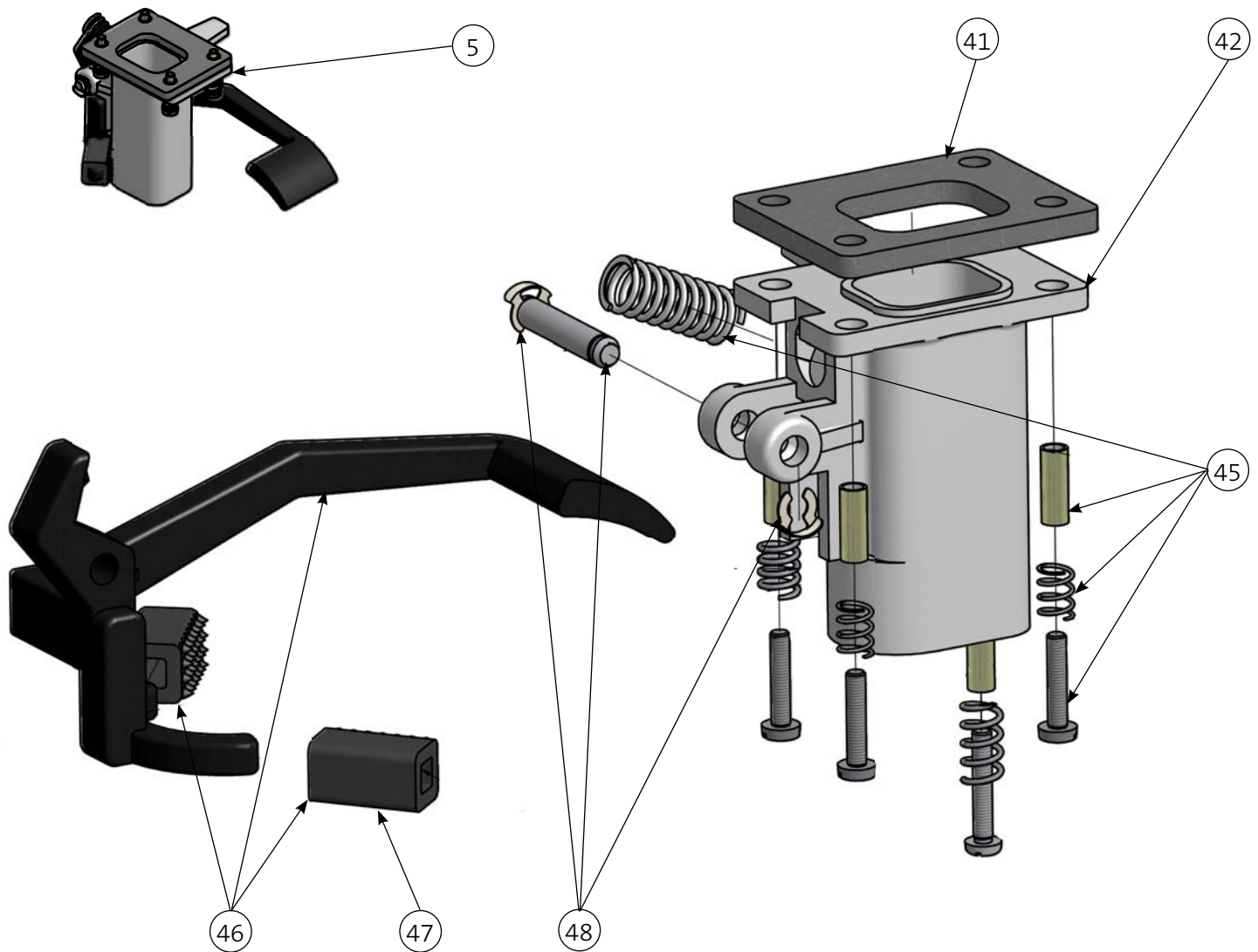
Model: Kenia - 200-240V / 50/60Hz

ARTICLE NO.	DRAWING NO.	DESCRIPTION
309698	20	Hinged lid K32 (brown), service pack
310081	-	Hinged lid K32 (transparent, NSF), service pack
300485	21	Hopper K32 (brown)
300248	-	Hopper K32 (transparent, NSF)
300447	22	Top housing Gua/Kenia, STATE COLOUR
300334	23	Magnet holder K32 compl.
308554	-	Magnet holder K32 Lexan (NSF), complete
300325	-	Poppy seed sieve (to reduce the poppy seed input, until ser.no.314322)



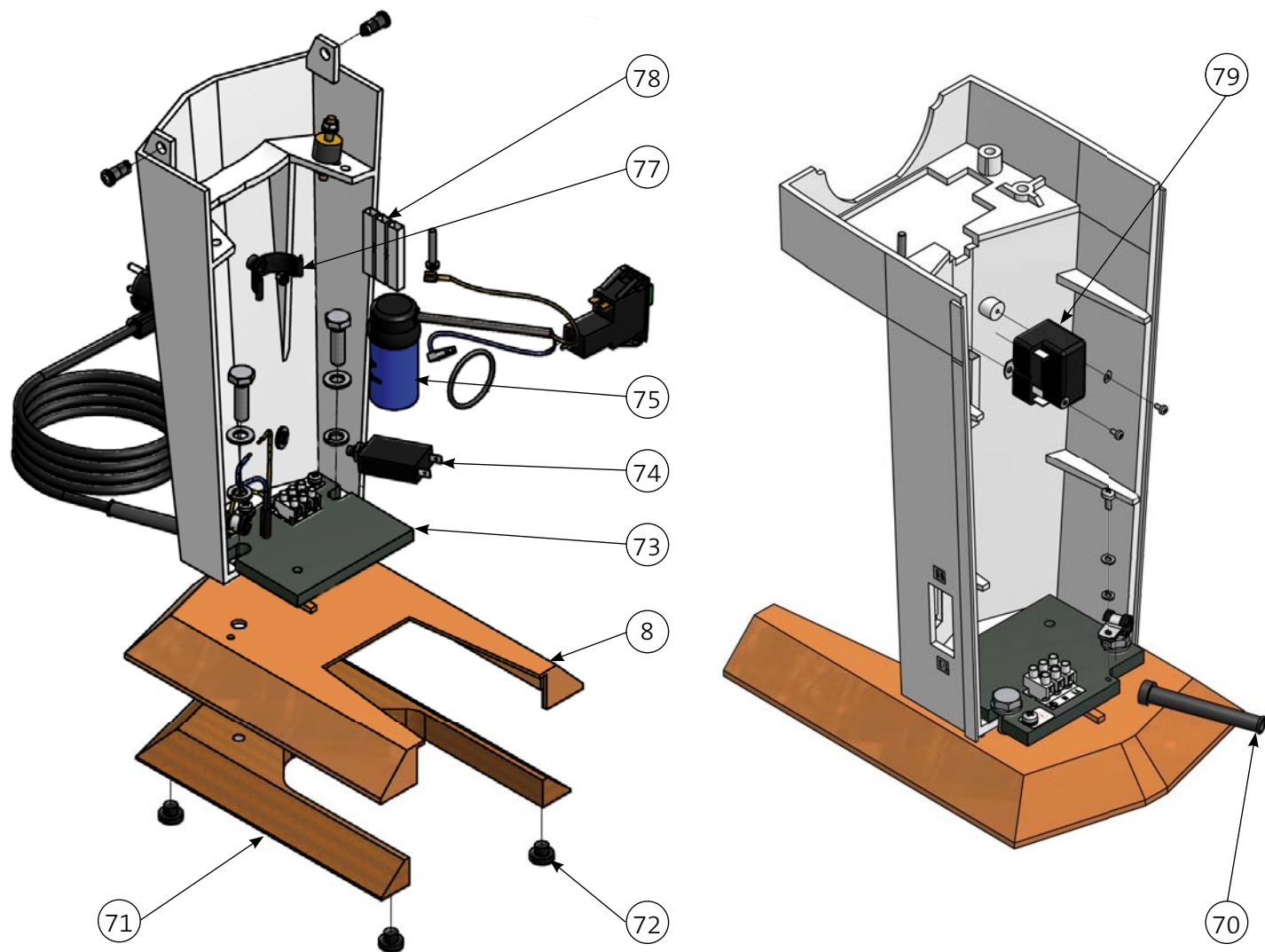
### Model: Kenia - 200-240V / 50/60Hz

ARTICLE NO.	DRAWING NO.	DESCRIPTION
-	30	Motor on request (with serial number)
303898	34	Grinding disc set K22/K32 Kenia, service pack
303959	34	Grinding disc set Kenia - linseed, service pack
303891	34	Grinding disc set Kenia - poppy seed, service pack
300074	35	Pre-breaker (Kenia+GuaF) coffee
305958	35	Pre-breaker K32S poppy seed
305999	35	Pre-breaker Kenia linseed
303864	36	Shear plate (aluminium)
309397	37	Grinder casing cover K22-K32 compl. with plastic shaft
307265	37	Grind adjustment cover K32 with steel spindle (24 bores)
300304	38	Grind adjustment spindle (plastic)
300975	38	Grind adjustment spindle (steel) for poppy seed grinding
309701	39	Motor suspension K32 Servicepack



Model: Kenia - 200-240V / 50/60Hz

ARTICLE NO.	DRAWING NO.	DESCRIPTION
309400	5	Spout K22-K32 complete with clamping
302728	41	Spout gasket
305705	42	Spout K22 tooled
305669	-	Spout polished (special request only)
305979	45	Spout K22/32, small parts set
309704	46	Bag holder handle K32/22, service pack
302725	47	Bag holder rubber
309703	48	Bag holder shaft, service pack



Model: Kenia - 200-240V / 50/60Hz

ARTICLE NO.	DRAWING NO.	DESCRIPTION
300395	8	Base plate cover K32, outside coated, STATE COLOUR
302753	70	Tension relief
300098	71	Baseplate
302741	72	Rubber buffer, black
309425	73	Socket plate K22-K32 assembly unit compl. for 220-230V 50/60Hz
309705	74	Current overload protection 7A, service pack
309428	75	Starting capacitor 180 µF 220V/50Hz assembled
309707	77	Mounting clamp for capacitors 35mm diameter, service pack
302469	78	3-pole connector
309706	79	Starting relay 2CR3-207, service pack

# Additional Equipment:



## Model: Kenia - 200-240V / 50/60Hz

ARTICLE NO.	DRAWING NO.	DESCRIPTION
304041	90	Pulling off device for prebreaker
305477	-	Inlet foamed set 2-parts for carton board
303587	-	Cardboard box Gua/Kenia
101855	92	GRINDZ Grinder Cleaner (box with 12 jars of 430 g each)
101856	93	GRINDZ Grinder Cleaner (box with 32 cardboard packs of 3x35g sachets)
308618	94	Hopper extension 1kg/2lbs
308619	-	Hopper extension 1,5kg/3lbs
308620	95	Hopper extension 2,5kg/5lbs
-	-	Base extension (K32) on request