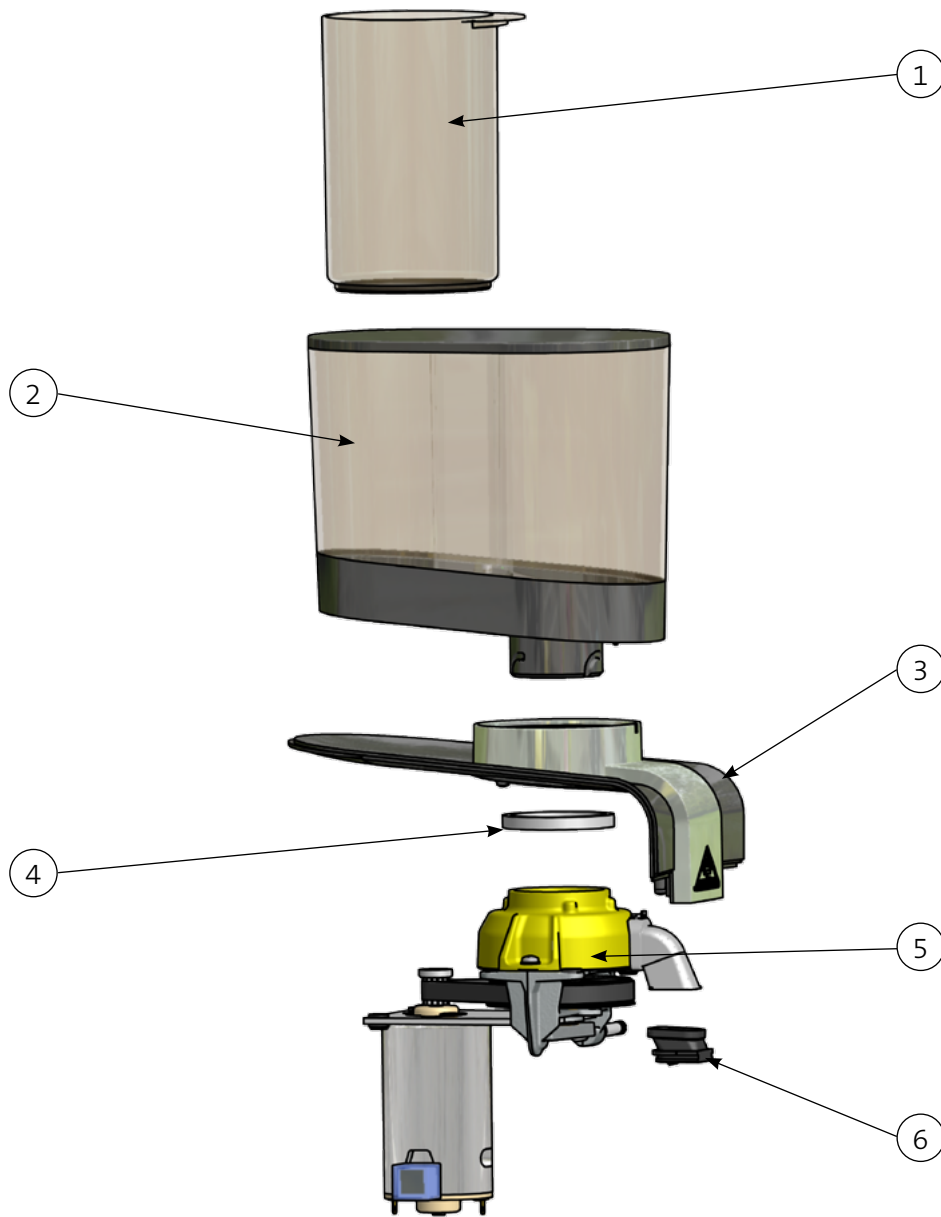


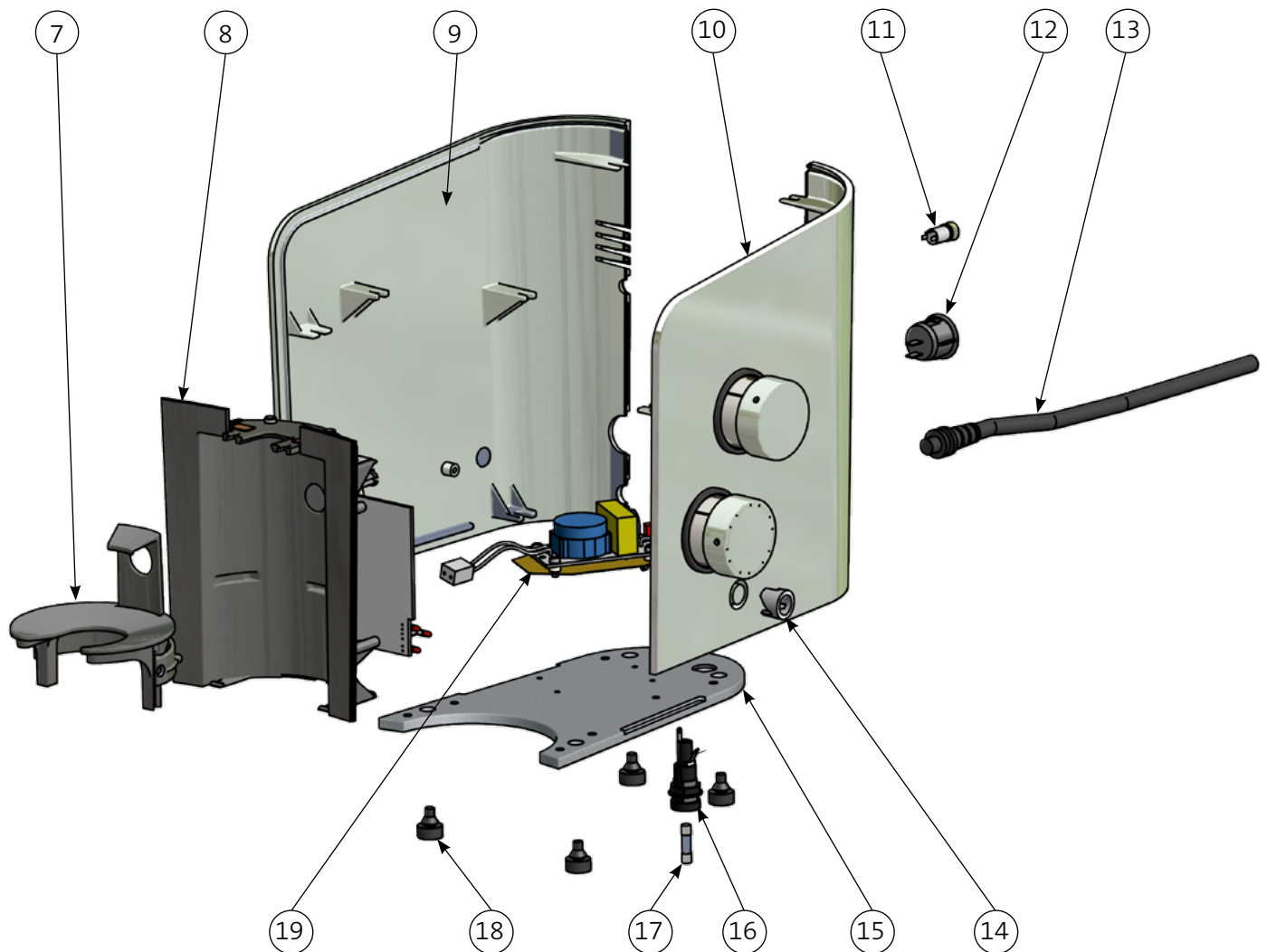
Valid from 20th March 2014
Supersedes all previously issued spare parts lists

Subject to change without prior notice.



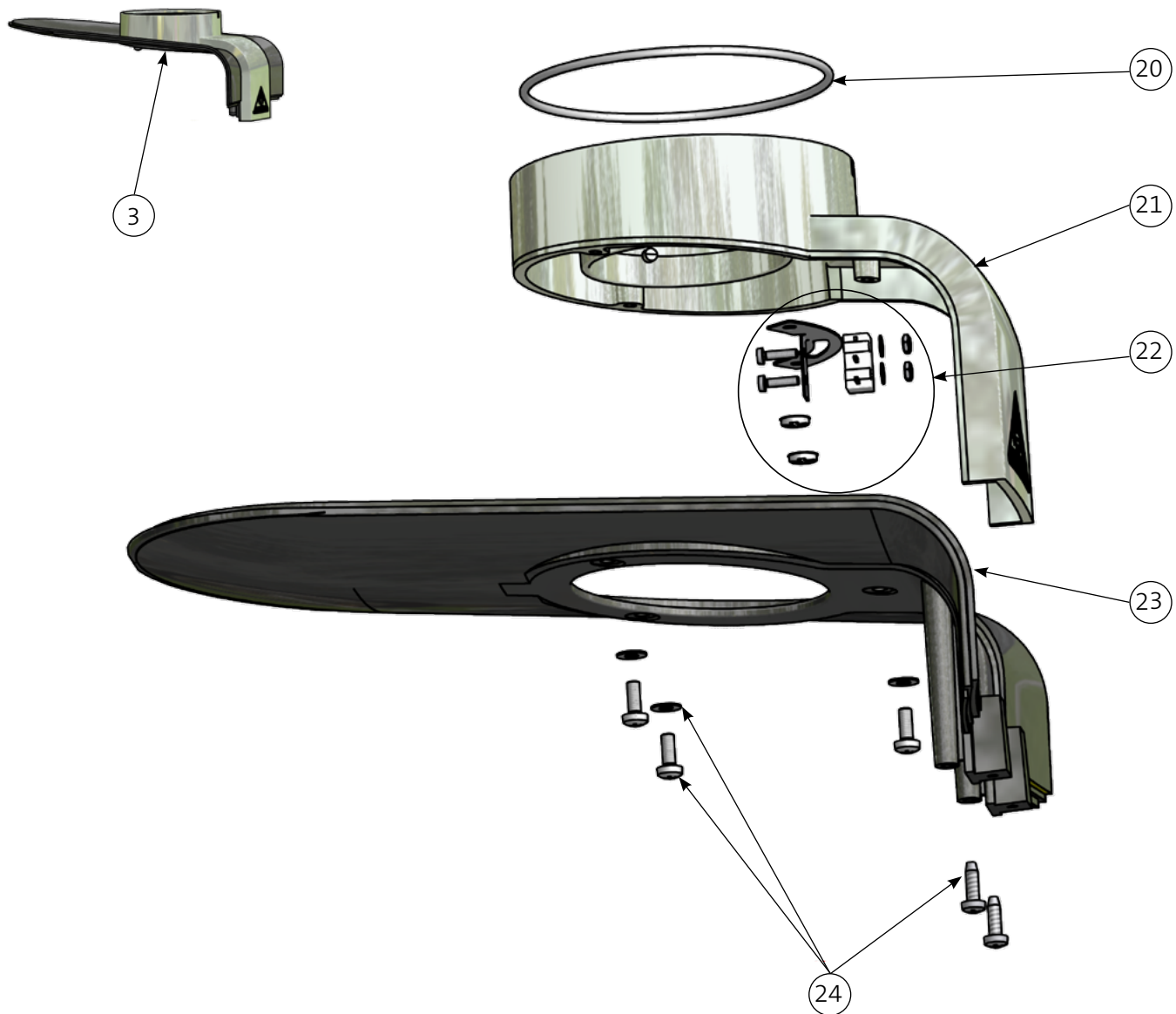
Model: ProM 200-240V 50/60Hz

ARTICLE NO.	DRAWING NO.	DESCRIPTION
310147	1	Grounds bin (anti-static material)
310707	2	Hopper with lid
310720	3	Upper panel complete
310624	4	Gasket grinder casing
310121	5	EK8 built-in grinder 200-240V 50/60Hz
310183	6	Spout gasket



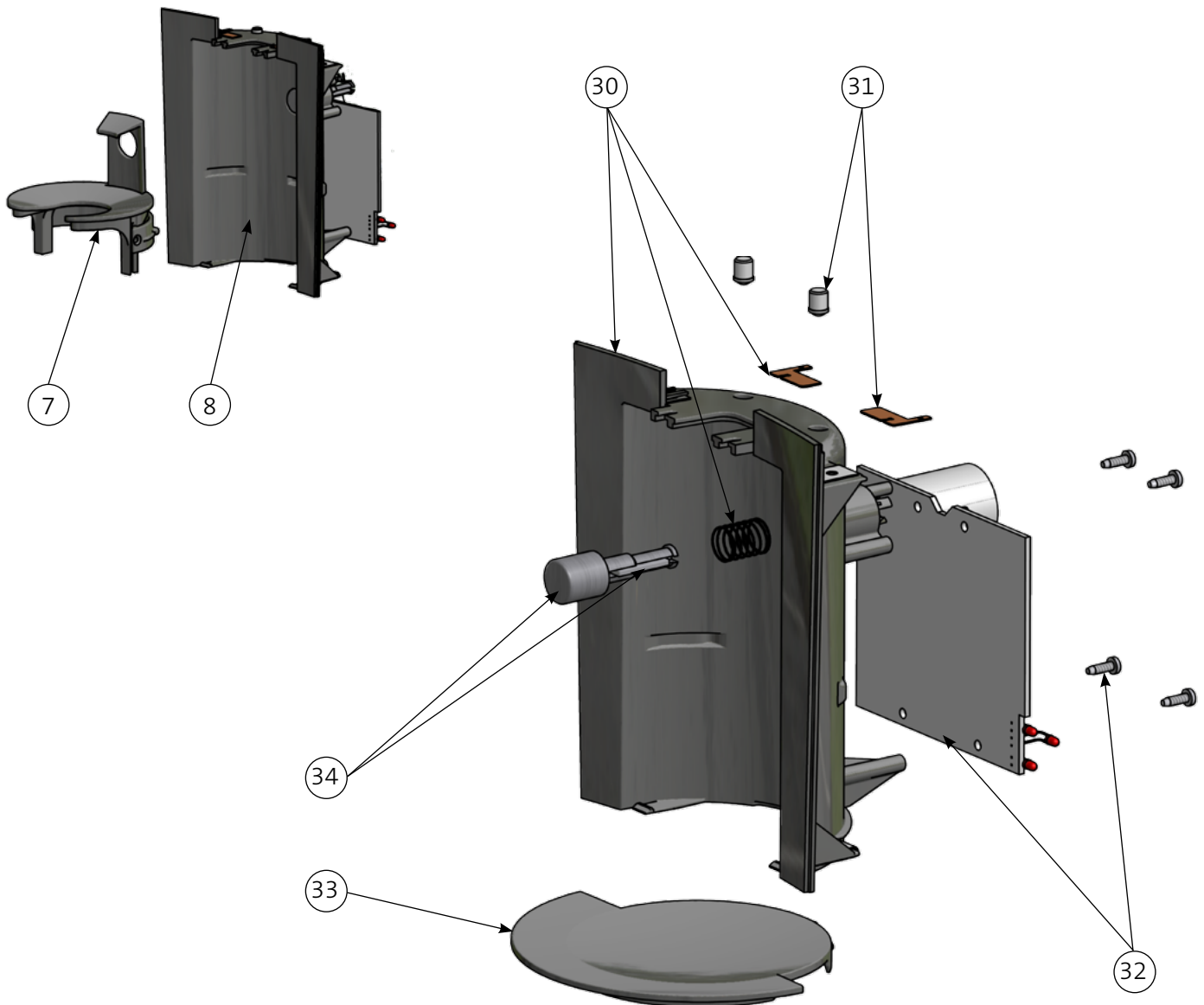
Model: ProM 200-240V 50/60Hz

ARTICLE NO.	DRAWING NO.	DESCRIPTION
310708	7	Portafilter holder
310721	8	Front panel complete
310033	9	Side panel left
310036	10	Side panel right ProM (without buttons)
310512	11	Jack plug
310433	12	Rocker switch round
310591	13	Power cord, quarter-turn Schuko-plug, with bend protection
310170	14	Lucent ring
310225	15	Base plate
310537	16	Fuse holder
310904	17	Safety fuse 1.8A slow
310706	18	Rubber feet, pack of 4
100249	19	EMC-board



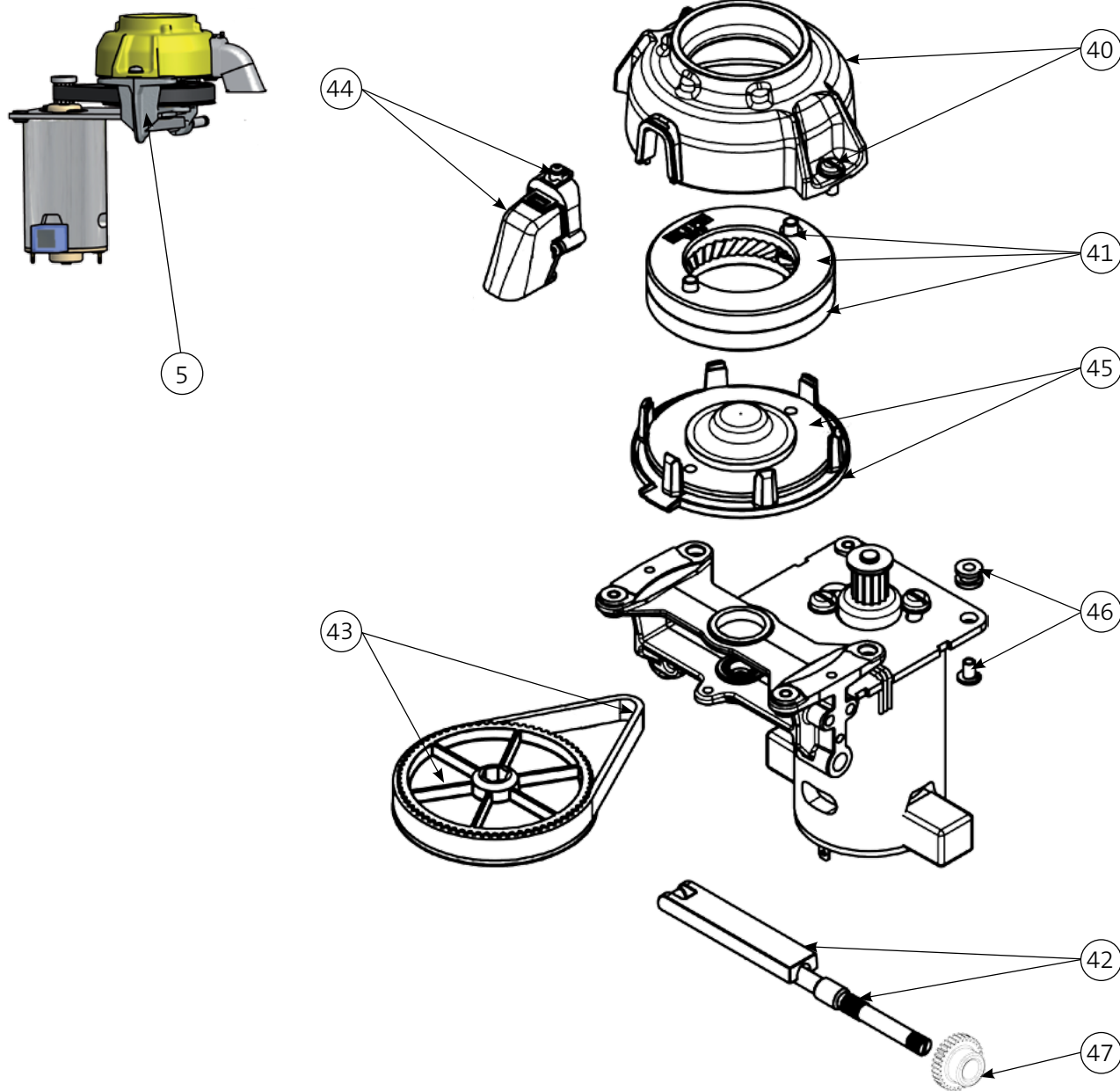
Model: ProM 200-240V 50/60Hz

ARTICLE NO.	DRAWING NO.	DESCRIPTION
310720	3	Upper panel complete
310468	20	O-ring
310042	21	Spout cover
310709	22	Micro switch, service pack
310058	23	Upper panel
310714	24	Small parts set, cover



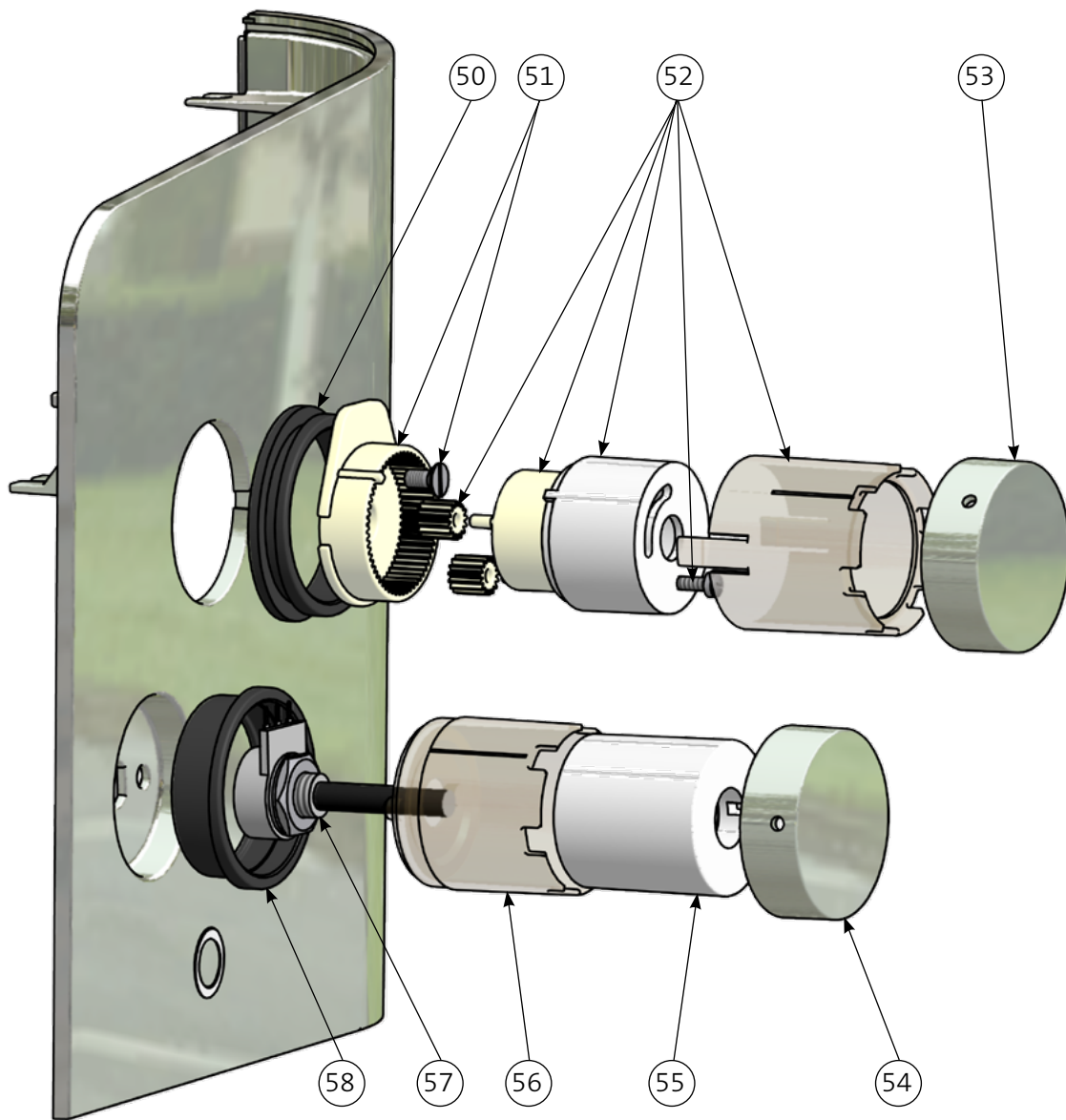
Model: ProM 200-240V 50/60Hz

ARTICLE NO.	DRAWING NO.	DESCRIPTION
310708	7	Portafilter holder
310721	8	Front panel complete
102021	30	Front panel ProM, service pack
310711	31	Small parts set, front panel
310712	32	Power board, ProM, 200-240V, service pack
310062	33	Residue tray ProM
310713	34	Start button, service pack



Model: ProM 200-240V 50/60Hz

ARTICLE NO.	DRAWING NO.	DESCRIPTION
310121	5	EK8 built-in grinder 200-240V 50/60Hz
101017	40	Grinder casing cover EK8, service pack
101019	41	Grinding disc set EK8 pro, service pack
101086	42	Adjustment EK8 ProM, service pack
101021	43	Belt / wheel EK8, service pack
101018	44	Spout EK8 200-240V, service pack
101020	45	Rotating burr carrier EK8, service pack
101023	46	Damper EK8, service pack
310068	47	Internal gear, grind adjustment



Model: ProM 200-240V 50/60Hz

ARTICLE NO.	DRAWING NO.	DESCRIPTION
310091	50	Rubber gasket grind adjustment
310715	51	Annulus gear grind adjustment, service pack
310716	52	Grind adjustment incl. planet wheels
310731	53	Adjustment knob grind adjustment, service pack
310732	54	Adjustment knob grinding time, service pack
310069	55	Scale grinding time
310153	56	Vision panel grinding time
310842	57	Potentiometer ProM with 3-wire-cable
310090	58	Rubber gasket time adjustment

Changes In The Spare Parts List:

VALID FROM SERIAL NO.	ARTICLE NO.	DRAWING NO.	DESCRIPTION	COMMENT
-	310713	34	Spring not included	extra earthing
2.2	310904	17	Safety fuse 1.8A slow	new part number
2.3	101017	40	Grinder casing cover EK8, service pack	new service packs for EK8
2.3	101019	41	Grinding disc set EK8 pro, service pack	new service packs for EK8
2.3	101086	42	Adjustment EK8 ProM, service pack	new service packs for EK8
2.3	101021	43	Belt / wheel EK8, service pack	new service packs for EK8
2.3	101018	44	Spout EK8, service pack	new service packs for EK8
2.3	101020	45	Rotating burr carrier EK8, service pack	new service packs for EK8
2.3	101023	46	Damper EK8, service pack	new service packs for EK8
2.4	102021	30	Front panel ProM, service pack	pre-assembled front panel
2.4	310068	47	Internal gear, grind adjustment	new in spare parts list
2.5	100249	19	EMC board	new part number with new inductor for UL
2.6	310842	57	Potentiometer ProM with 3-wire-cable	new part number